

AutoBlend Systems

BITUMEN EMULSION PRODUCTION

Advantages

- High capacity
- Consistent product quality
- Cost savings by direct connection to storage tanks



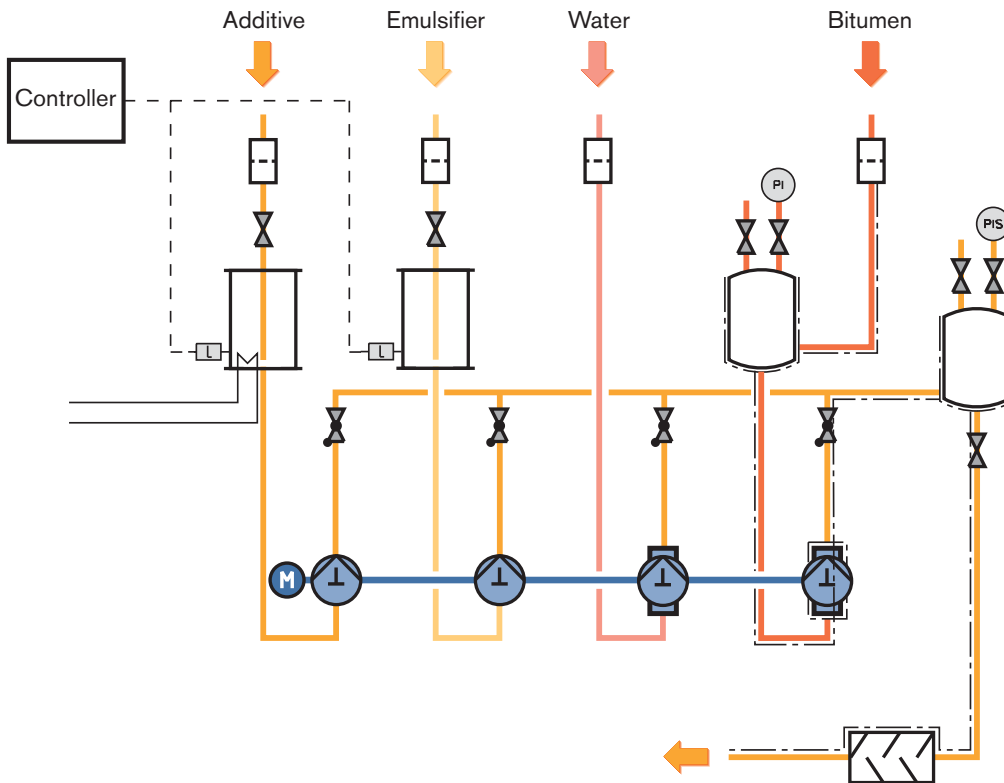
Bitumen emulsions are used for road surface maintenance.

The emulsion components (bitumen, water, additives and emulsifiers) are taken directly from their storage tanks. The precise metering of each component ensures constant high quality when the mixture passes through the colloid mill to form the emulsion.

Components

- 1 multi-headed metering pumps with manual stroke adjustment, 4 plunger heads (2 double-acting)
- 2 air vessels
- 1 static mixer
- Heating jacket for 2 pump heads and 1 suction-side pipe
- 4 in-line filters

Simplified process diagram



Global locations

USA

SPX GLOBAL HEADQUARTERS

13515 Ballantyne Corporate Place
Charlotte, NC 28277
United States of America
Phone: +1 704 752 4400

EMEA

SPX FLOW TECHNOLOGY

Werkstraße 4
D-22844 Norderstedt
Phone: +49 (0) 40 - 522 02 -0
Fax: +49 (0) 40 - 522 02 -444

SPX FLOW TECHNOLOGY

Ironstone Way
Brixworth, Northants, NN69UD
Phone: +44 (0) 1604 881751
Fax: +44 (0) 1604 880145

APAC

SPX FLOW TECHNOLOGY

25 International Business Park
#03-03/12, German Centre,
Singapore 609916
Phone: +65 6568 1568
Fax: +65 6265 9133
E-Mail: asia.pacific@spx.com



SPX FLOW TECHNOLOGY 611 Sugar Creek Road, Delavan, WI 53115

P: (800) 252-5200 or +1 (262) 728-1900, F: (262) 728-4904

E: branluebbe@spx.com • www.spx.com

SPX reserves the right to incorporate our latest design and material changes without notice or obligation. Design features, materials of construction and dimensional data, as described in this bulletin, are provided for your information only and should not be relied upon unless confirmed in writing. Please contact your local sales representative for product availability in your region. For more information visit www.spx.com. The green ">" is a trademark of SPX Corporation, Inc. ISSUED 08/2012 BL-1615 COPYRIGHT © 2012 SPX Corporation